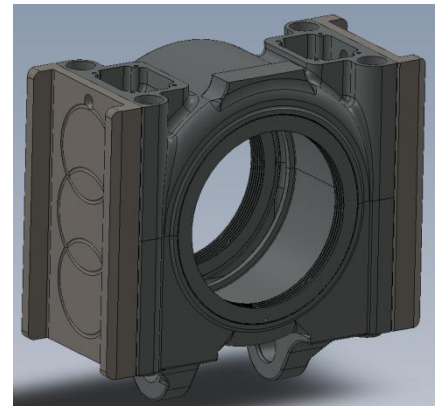


COUPLED AXLEBOX ASSEMBLY (LEADING)



COUPLED AXLEBOX DETAILS PRICE LIST

ITEM	DESCRIPTION		QTY	PRICE EACH
1		LABYRINTH SEAL RING OUTER Major Diameter 13.937 inches Width 1.072 inches Material: Mild Steel	2	£660
2		ABUTMENT & THROWER RING OUTER Major Diameter 13.90 inches Width 1.562 inches Material: High Tensile Steel	2	£695
3		ABUTMENT & THROWER RING INNER Major Diameter 14.00 inches Width 2.188 inches Material: High Tensile Steel	2	£695
4		LABYRINTH SEAL RING INNER Major Diameter 13.937 inches Width 1.572 inches Material: Mild Steel	2	£660
5		TRUNNION GUIDE Overall Size:- 18 inches x 10.75 inches Material: High Tensile Steel	4	£1280